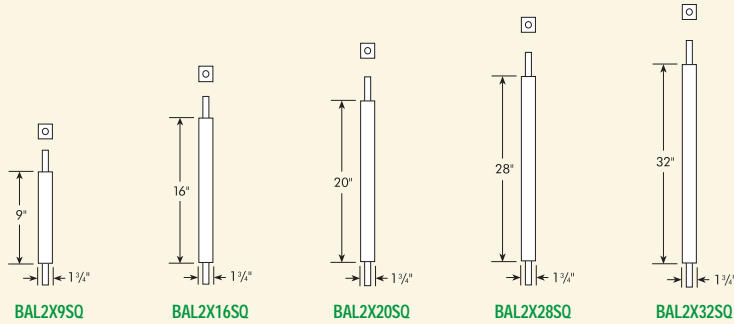


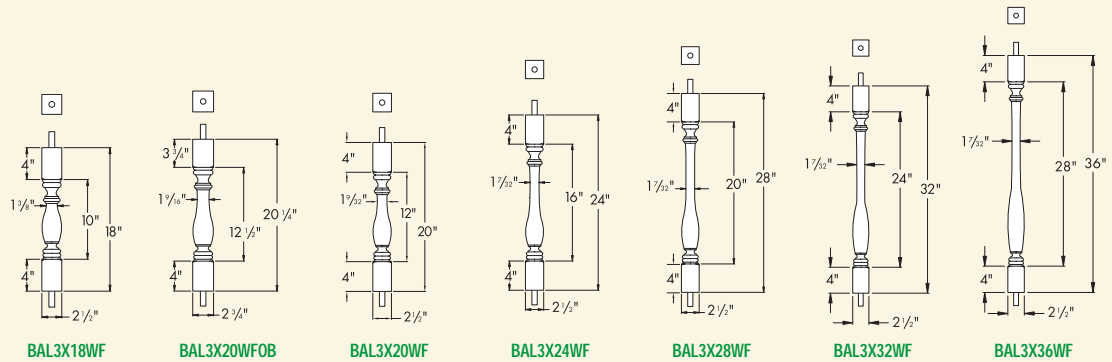
5" Balustrade System Baluster - Square (SQ)



Part Number Maximum Center-to-Center Distance To Meet 4" Rule.
(See Page 2 BL For Details)

NEW BAL2X9SQ	5 11/16"	
BAL2X16SQ	5 11/16"	
BAL2X20SQ	5 11/16"	
BAL2X28SQ	5 11/16"	
BAL2X32SQ	5 11/16"	

5" Balustrade System Baluster - Woodruff (WF)



Part Number Maximum Center-to-Center Distance To Meet 4" Rule.
(See Page 2 BL For Details)

NEW BAL3X18WF	5 9/16"	
BAL3X20WFOB	5 1/2"	
NEW BAL3X20WF	5 7/32"	
NEW BAL3X24WF	5 3/16"	
NEW BAL3X28WF	5 3/16"	
NEW BAL3X32WF	5 3/16"	
NEW BAL3X36WF	5 1/8"	