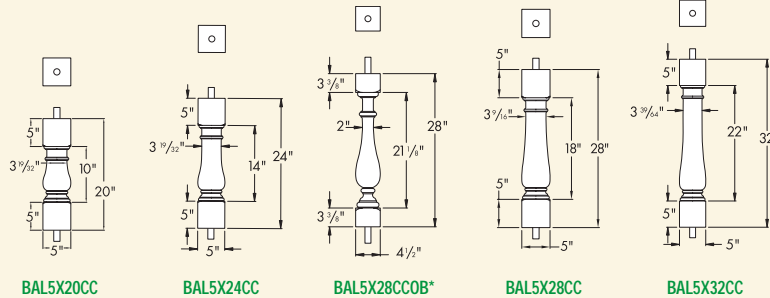


7" Balustrade System Baluster - Classic (CC)

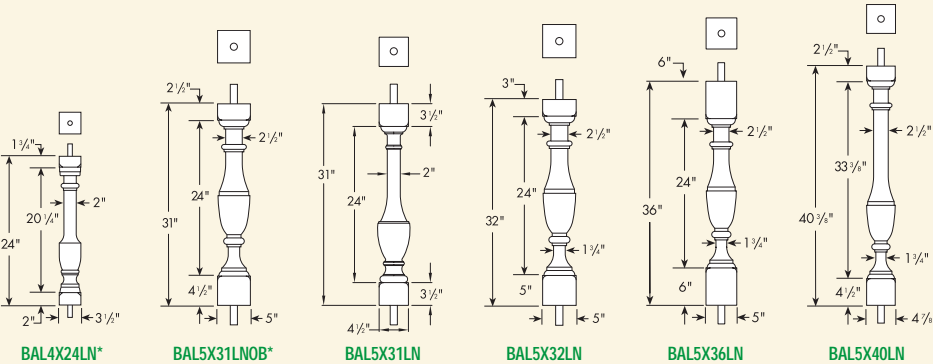


Part Number Maximum Center-to-Center Distance To Meet 4" Rule.
(See Page 2 BL For Details)

NEW BAL5X20CC	7 5/8"	
NEW BAL5X24CC	7 1/2"	
BAL5X28CCOB*	5 15/16"	
NEW BAL5X28CC	7 1/2"	
NEW BAL5X32CC	7 9/16"	

*Cannot be used for stair applications.

7" Balustrade System Baluster - Logan (LN)



Part Number Maximum Center-to-Center Distance To Meet 4" Rule.
(See Page 2 BL For Details)

BAL4X24LN*	5 15/16"	
BAL5X31LNQB*	6 7/16"	
NEW BAL5X31LN	6 7/16"	
BAL5X32LN	6 7/16"	
BAL5X36LN	6 15/16"	
BAL5X40LN	6 7/16"	

*Cannot be used for stair applications.