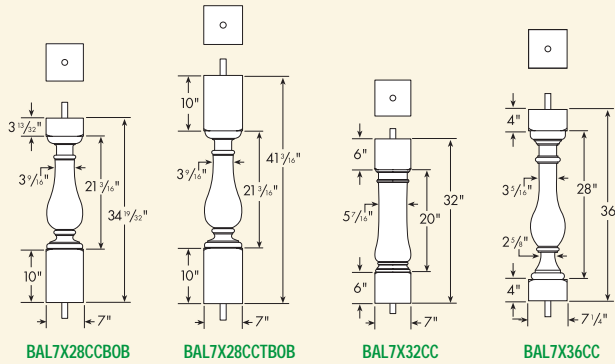


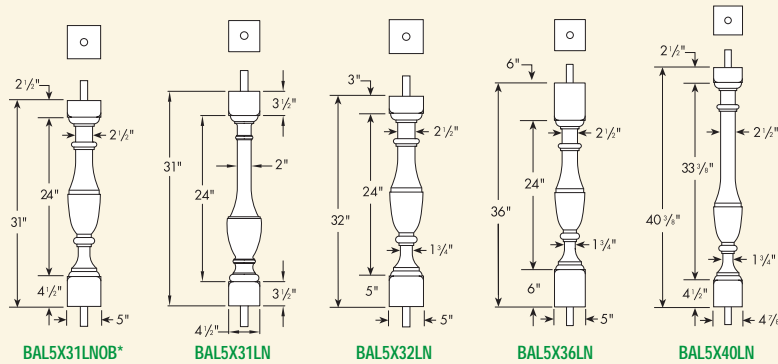
12" Balustrade System Baluster - Classic (CC) (continued)



Part Number Maximum Center-to-Center Distance To Meet 4" Rule.
(See Page 2 BL For Details)

BAL7X28CCB0B	7 9/16"	
BAL7X28CCTB0B	7 9/16"	
NEW BAL7X32CC	9 3/8"	
BAL7X36CC	7 1/4"	

12" Balustrade System Baluster - Logan (LN)



Part Number Maximum Center-to-Center Distance To Meet 4" Rule.
(See Page 2 BL For Details)

BAL5X31LNOB*	6 7/16"	
NEW BAL5X31LN	6 7/16"	
BAL5X32LN	6 7/16"	
BAL5X36LN	6 7/16"	
BAL5X40LN	6 7/16"	

*Cannot be used for stair applications.