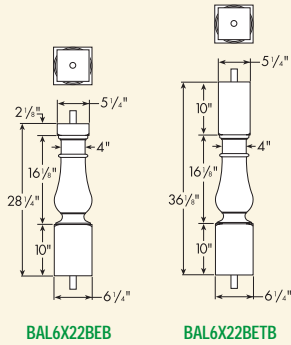


12" Balustrade System
Baluster - Beaumont (BE) (continued)



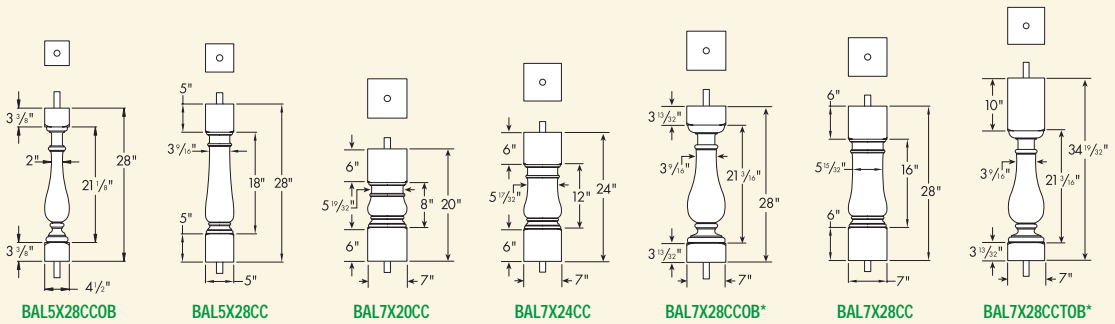
BAL6X22BEB

BAL6X22BETB

Part Number Maximum Center-to-Center Distance To Meet 4" Rule.
(See Page 2 BL For Details)

BAL6X22BEB	8 5/16"
BAL6X22BETB	7 15/16"

12" Balustrade System
Baluster - Classic (CC)



BAL5X28CCOB

BAL5X28CC

BAL7X20CC

BAL7X24CC

BAL7X28CCOB*

BAL7X28CC

BAL7X28CCTOB*

Part Number Maximum Center-to-Center Distance To Meet 4" Rule.
(See Page 2 BL For Details)

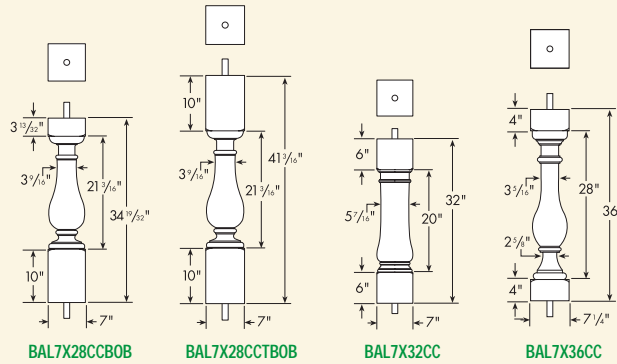
BAL5X28CCOB	5 15/16"
NEW BAL5X28CC	7 1/2"
NEW BAL7X20CC	10"
NEW BAL7X24CC	9 7/16"
BAL7X28CCOB*	7 9/16"
NEW BAL7X28CC	9 3/8"
BAL7X28CCTOB*	7 9/16"

*Cannot be used for stair applications.

CHART CONTINUED ON FOLLOWING PAGE.



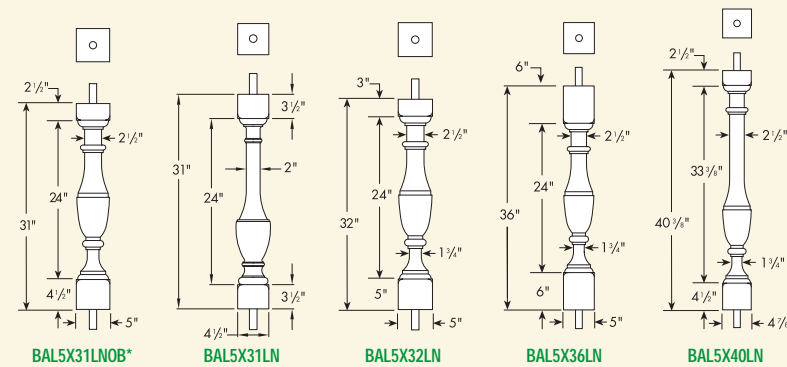
12" Balustrade System Baluster - Classic (CC) (continued)



Part Number Maximum Center-to-Center Distance To Meet 4" Rule.
(See Page 2 BL For Details)

BAL7X28CCB0B	7 9/16"	
BAL7X28CCTB0B	7 9/16"	
NEW BAL7X32CC	9 3/8"	
BAL7X36CC	7 1/4"	

12" Balustrade System Baluster - Logan (LN)



Part Number Maximum Center-to-Center Distance To Meet 4" Rule.
(See Page 2 BL For Details)

BAL5X31LNOB*	6 7/16"	
NEW BAL5X31LN	6 7/16"	
BAL5X32LN	6 7/16"	
BAL5X36LN	6 7/16"	
BAL5X40LN	6 7/16"	

*Cannot be used for stair applications.