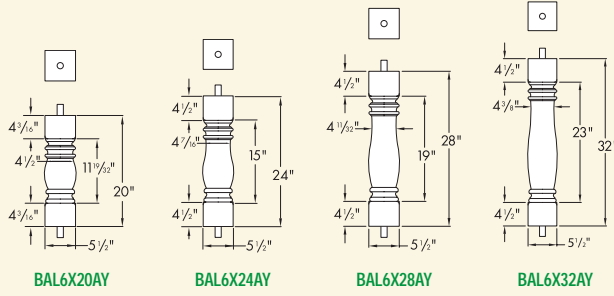


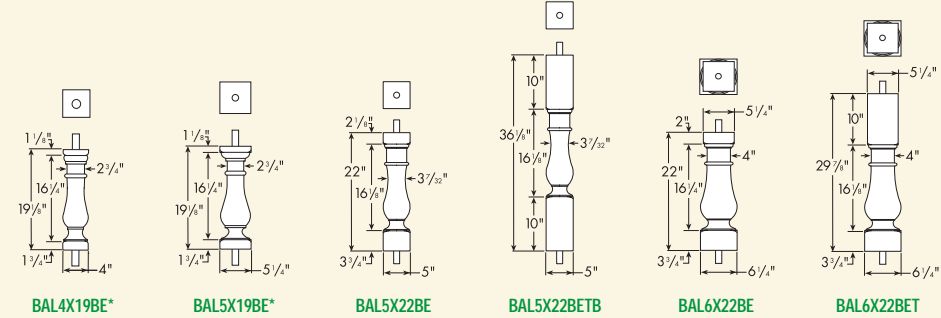
## 12" Balustrade System Baluster - Ashley (AY)



Part Number Maximum Center-to-Center Distance To Meet 4" Rule.  
(See Page 2 BL For Details)

<b>NEW</b> BAL6X20AY	8 15/16"	
<b>NEW</b> BAL6X24AY	8 3/8"	
<b>NEW</b> BAL6X28AY	8 9/32"	
<b>NEW</b> BAL6X32AY	8 5/16"	

## 12" Balustrade System Baluster - Beaumont (BE)



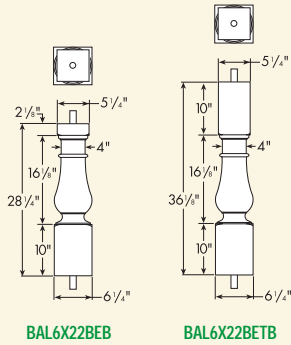
Part Number Maximum Center-to-Center Distance To Meet 4" Rule.  
(See Page 2 BL For Details)

BAL4X19BE*	6 5/8"	
BAL5X19BE*	6 11/16"	
<b>NEW</b> BAL5X22BE	7 1/8"	
<b>NEW</b> BAL5X22BETB	7 1/8"	
BAL6X22BE	7 15/16"	
BAL6X22BET	7 15/16"	

\*Cannot be used for stair applications.

CHART CONTINUED ON FOLLOWING PAGE.

12" Balustrade System  
Baluster - Beaumont (BE) (continued)



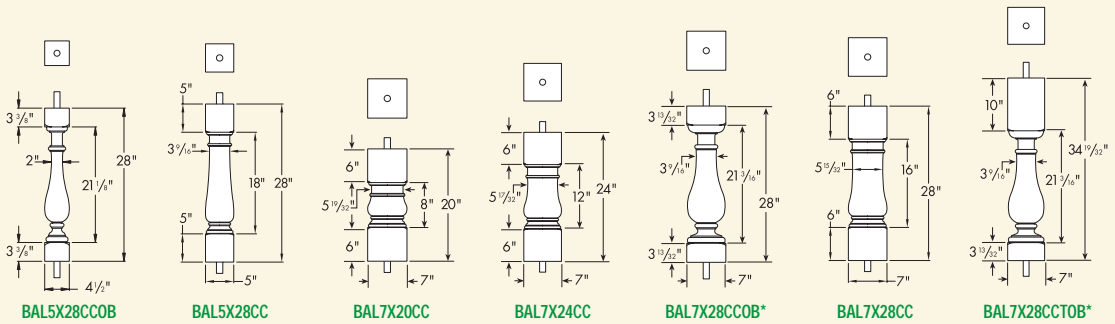
BAL6X22BEB

BAL6X22BETB

Part Number Maximum Center-to-Center Distance To Meet 4" Rule.  
(See Page 2 BL For Details)

BAL6X22BEB	8 5/16"
BAL6X22BETB	7 15/16"

12" Balustrade System  
Baluster - Classic (CC)



BAL5X28CCOB

BAL5X28CC

BAL7X20CC

BAL7X24CC

BAL7X28CCOB\*

BAL7X28CC

BAL7X28CCTOB\*

Part Number Maximum Center-to-Center Distance To Meet 4" Rule.  
(See Page 2 BL For Details)

BAL5X28CCOB	5 15/16"
<b>NEW</b> BAL5X28CC	7 1/2"
<b>NEW</b> BAL7X20CC	10"
<b>NEW</b> BAL7X24CC	9 7/16"
BAL7X28CCOB*	7 9/16"
<b>NEW</b> BAL7X28CC	9 3/8"
BAL7X28CCTOB*	7 9/16"

\*Cannot be used for stair applications.

CHART CONTINUED ON FOLLOWING PAGE.

